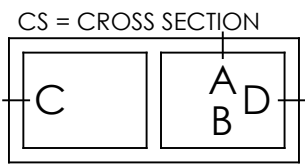
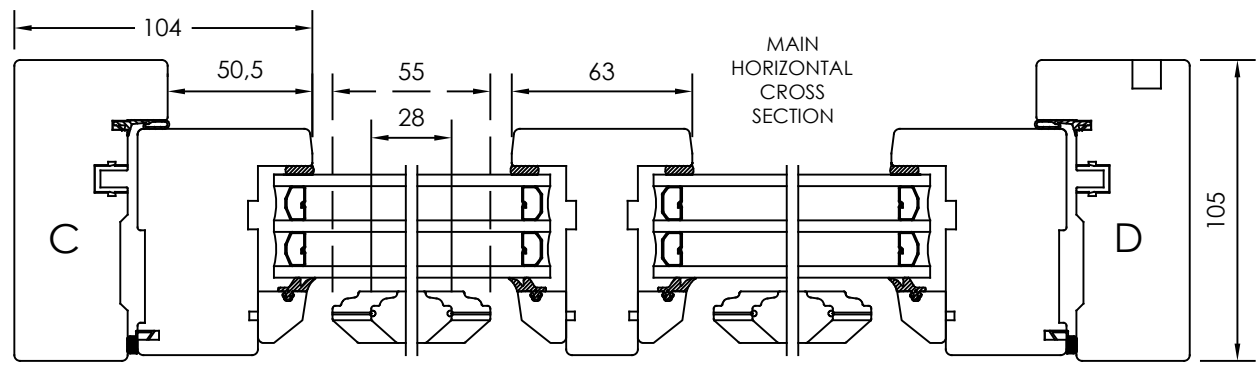
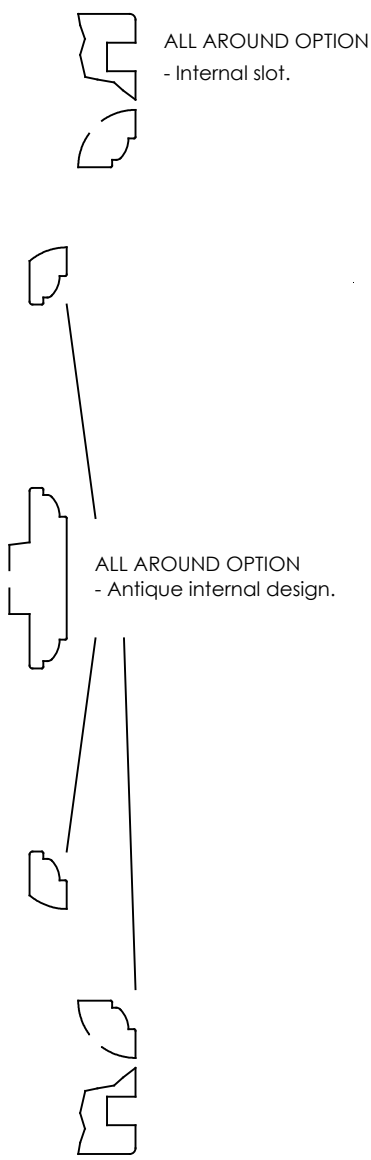
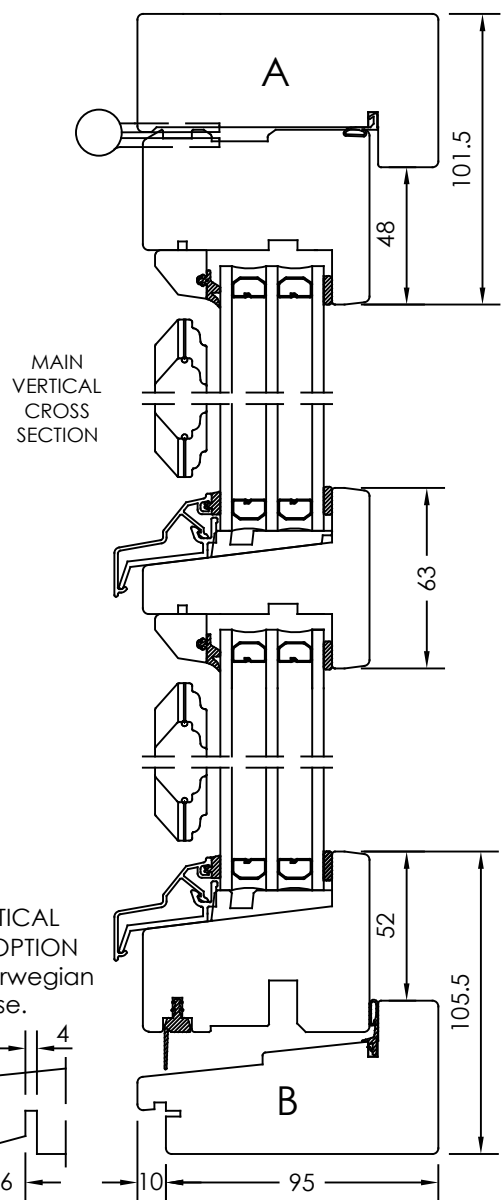


Rev	Description	Rev. by	Date



Designed by SH	Designed date 2019-05-15	Product Category Window Outward	Processing Code	
Approved by	Approved date	Product Type Top Hung	Material	
		Överkantshängt 3-glas, glaslist 1 Top hung 3-glass,glazing bead 1	Tolerances unless otherwise specified ISO 2768-1 m	View orientation E
			Article Number	Scale 1:1
Drawing Number 61-37-0001 E			Revision (A)	